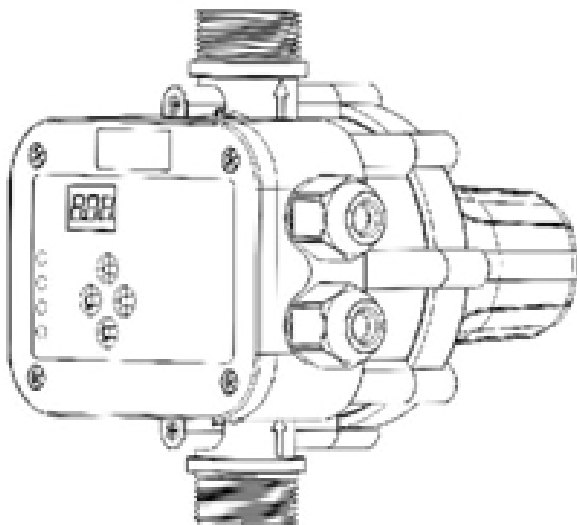


Data sheet

Presscontrol System for Electric Pumps

PLUTO 60 1,5HP**PLUTO 60 3,0 HP****SELF-START****Where to install PLUTO 60?****Pump operating heights:**

PLUTO 60 SELF-START supplies homes placed at the same level or with a maximum height difference of 55 meters (compared to PLUTO 60)

Electric pump pressure:

Electric pumps with maximum pressure between 0.6 Bar and 10 Bar

Single-phase electric pump power:

PLUTO 60 1.5HP for pumps max 1.5HP

PLUTO 60 3.0HP for pumps max 3.0HP

MAIN FEATURES OF "PLUTO 60 SELF-START"

Line voltage: 230V +/- 10%

Frequency: 50 - 60 Hz

Maximum capacity: 100 lit/min

Maximum working pressure: 10 bar

Maximum ambient temperature: 60 ° C

IN-OUT thread: 1 "Male

Protezione Class: IP65

Startup attempts after alarm: 1 min. - 30 min. - every hour for 24 hours

No block system: Temporary re-start of the pump after 72 hours of inactivity

PLUTO 60 1,5HP SELF-START - MAX 10A - Re-start from 0,5 Bar to 6,0 Bar

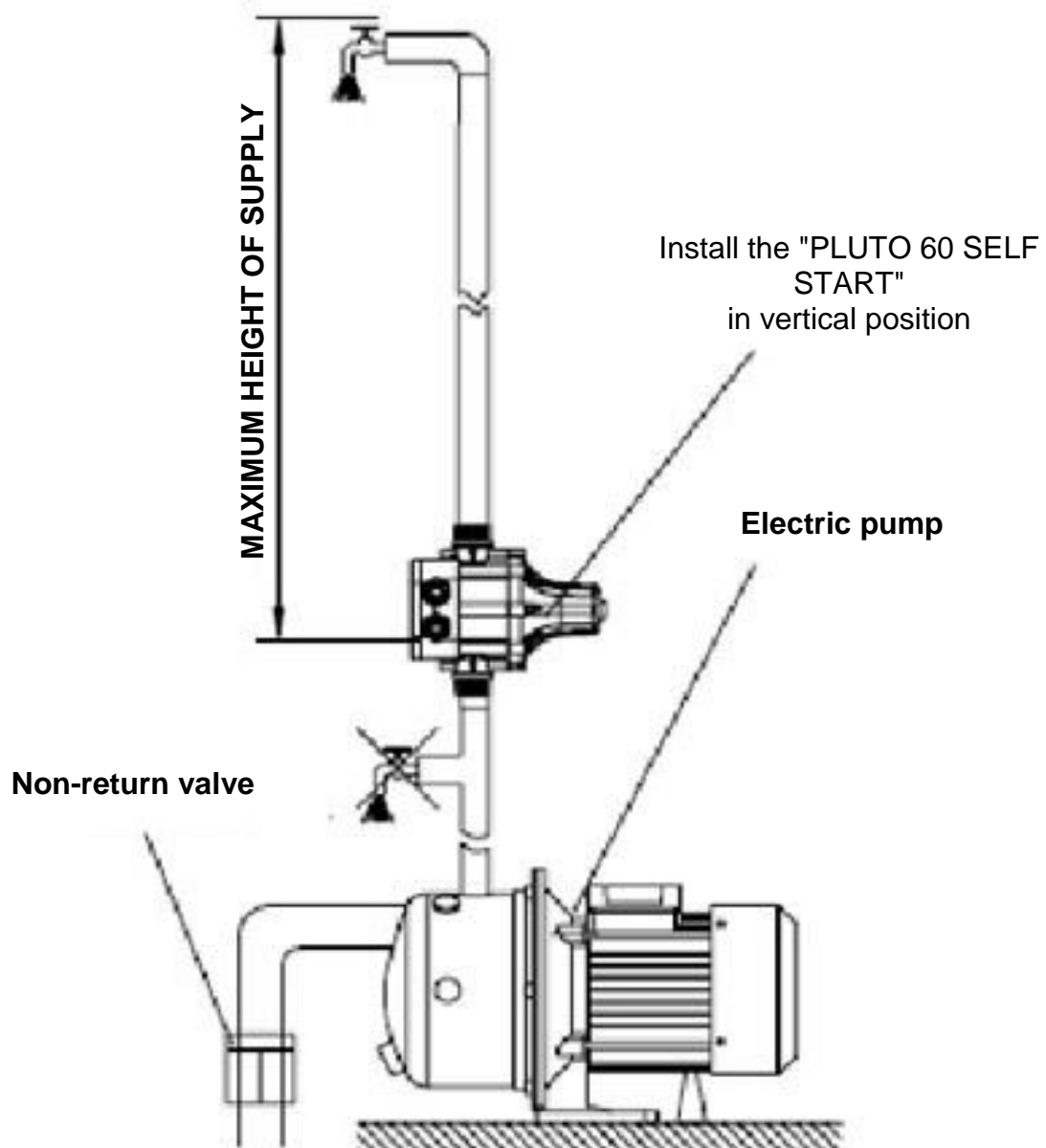
PLUTO 60 3,0HP SELF-START - MAX 16A - Re-start from 0,5 Bar to 6,0 Bar

INSTRUCTIONS FOR THE CORRECT INSTALLATION OF "PLUTO 60 SELF START"

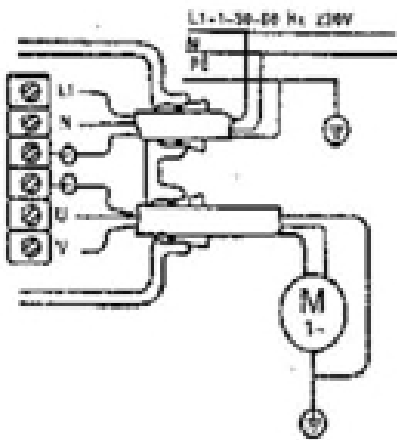
Unlike traditional press-controls, "PLUTO 60 SELF START" can be used with almost all the electric pumps with a max pressure between 0,6 Bar and 9,8 Bar (max flow rate: 100L).

Table 1 (EX)

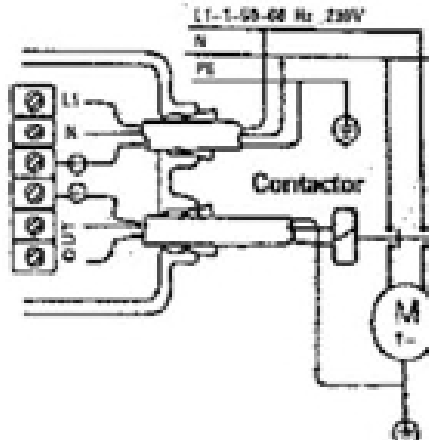
MODEL	STARTING PRESSURE SETTED	MAX PUMP PRESSURE	The electric pump must provide a maximum pressure higher than the restart pressure set in the PLUTO 60 SELFSTART
PLUTO 60 SELFSTART	0,5 Bar	0,6 Bar at least	To avoid frequent start/stop(s): 1) Install an electric pump giving a maximum pressure of 10% higher than the restart pressure set in the PLUTO 60 SELFSTART
	4,0 Bar	4,4 Bar at least	2) Add an additional expansion vessel



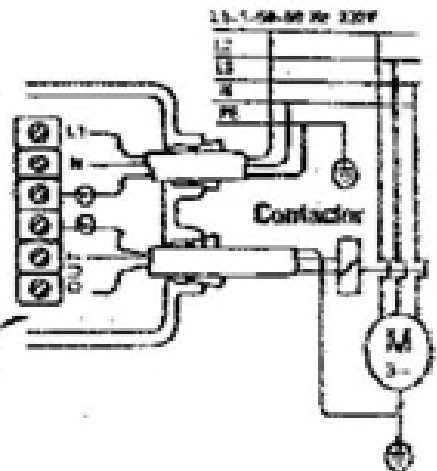
POSSIBLE ELECTRICAL CONNECTIONS OF "PLUTO 60 SELFSTART"



Direct connection to the electric pump
230Vac - 50Hz - Max 1,1 kW



Connection via relay to the electric pump
230Vac - 50Hz



Connection via relay to the electric pump
400Vac - 50Hz

Remote control single-phase pumps

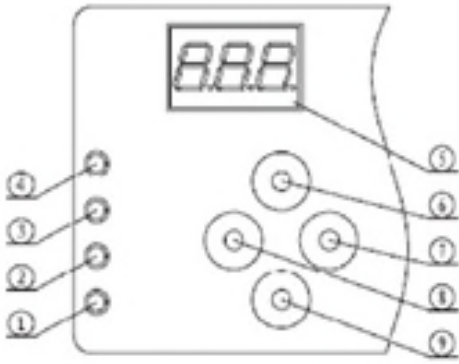
The relay can be used to power electropumps without power limit

Remote control three-phase pumps

The relay can be used to power electropumps without power limit

Problem	REASONS ABOUT "PLUTO 60 SELFSTART"	OTHER REASONS
Pump does not start	<ul style="list-style-type: none"> Broken electronic card 	<ul style="list-style-type: none"> Voltage is not correct The pump is blocked Power and pump cables are reversed
Pump does not stop	<ul style="list-style-type: none"> Broken electronic card Large water losses The reset button is blocked The pump does not have enough pressure to allow it to come off 	<ul style="list-style-type: none"> Water leaks in the system above 0.6 l/min
Pump runs intermittently	<ul style="list-style-type: none"> Broken electronic card The pump does not have sufficient pressure to allow the release 	<ul style="list-style-type: none"> Water leaks in the system below 0.6 l/min
The pump is jammed	—	<ul style="list-style-type: none"> Bearings blocked Debris in the impeller Dead capacitor

NOMENCLATURA TASTI E LED "PLUTO 60 SELFSTART"



POS.	NAME	FUNCTION
1	FAILURE	1) Led ON means lack of water 2) Led OFF indicates that everything is normal 3) Twinkle led indicates that the pump is waiting to start again
2	PUMP	1) Led ON means that the pump is running 2) Led OFF means that the pump is in stop
3	AUTO	1) Led ON means that the pump is in automatic mode 2) Led OFF means that the pump is in manual mode
4	POWER	1) Led ON means that the system is powered by electricity 2) Led OFF means that the system is not powered
5	Display area	1) "000" indicates real-time pressure 2) "L000" indicates the re-start pressure 3) P indicates overpressure protection
6	+	Button to increase the restart value
7	SET	Button to select the AUTO and MAN modes
8	RUN	Button to force the pump to start
9	-	Button to decrease the parameters

STARTING "PLUTO 60 SELF-START"

After completing the installation:

1) press "SET" until the "AUTO" LED lights up

"PLUTO 60 SELFSTART" will work in AUTO mode.

- - - OPERATING SETTINGS ARE ULTIMATE - - -

If you want to increase the auto restart value set by "PLUTO 60 SELFSTART":

1) press "SET" until the "AUTO" LED turns off

2) Use the + and - buttons to set the desired restart value

"PLUTO 60 SELFSTART" will work in MANUAL mode.

WARRANTY

In case of failure, please contact the retailer or write an email to our customer service:
support@xpowerwaterpump.com